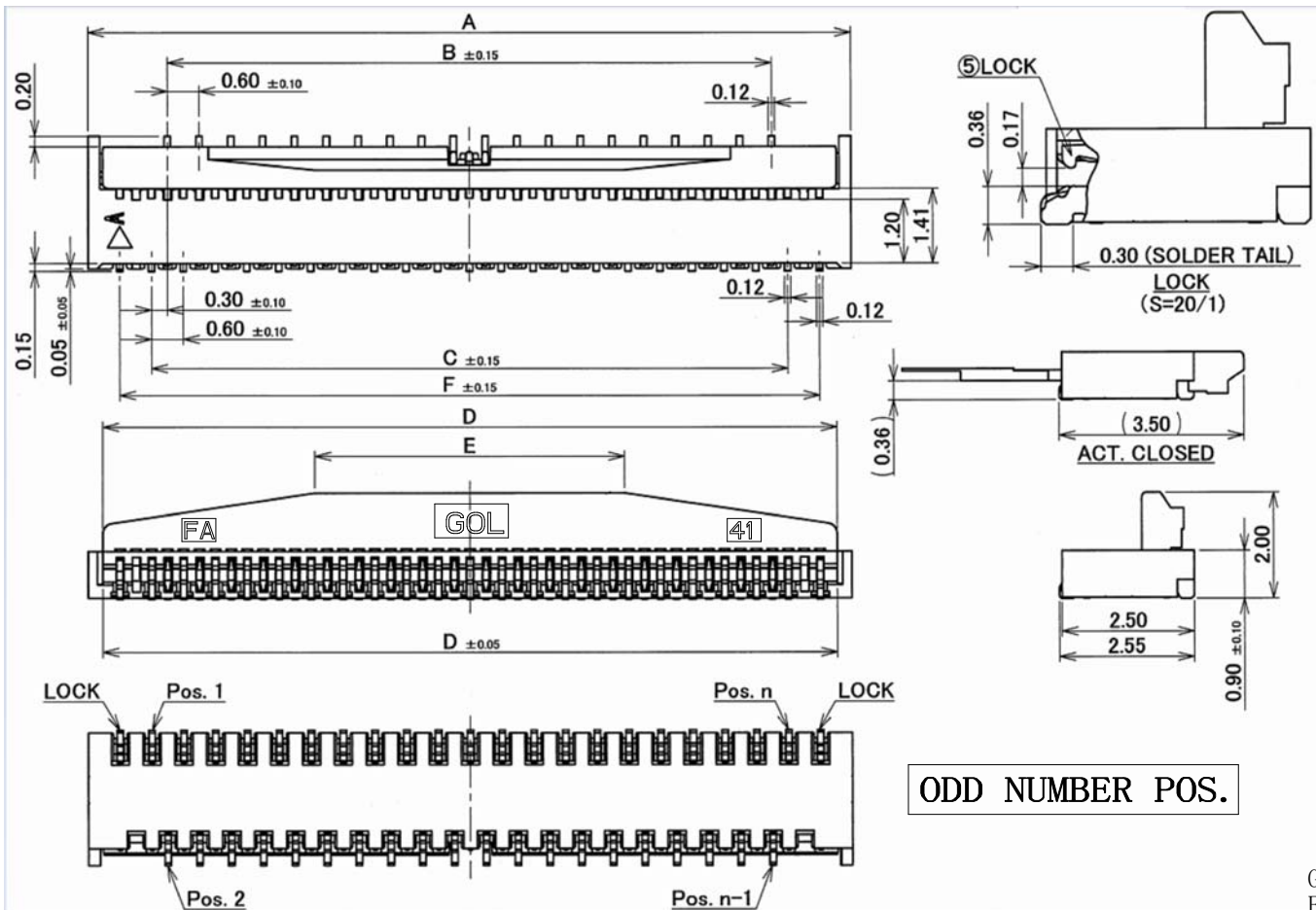


REV.	ECN.NO.	MODIFY.CONTENT	DATE
A		FIRST VERSION	04/12' 19
B		Modify Housing	07/12' 19



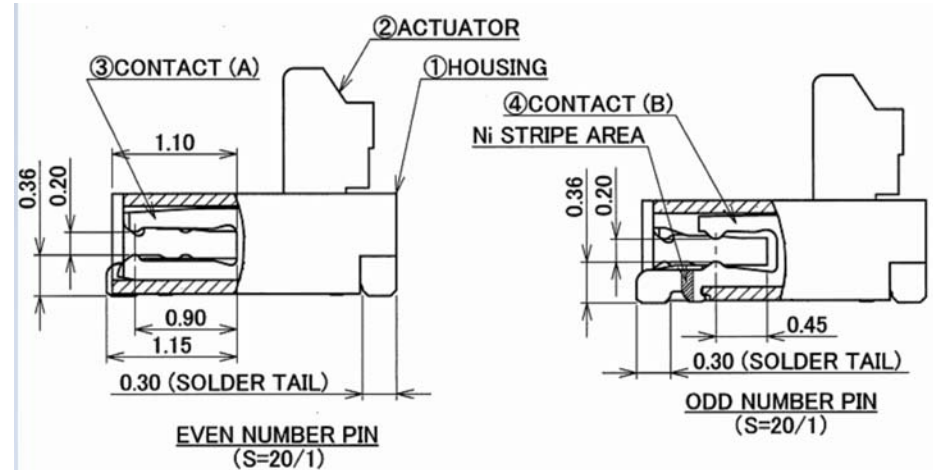
Pos.	A	B	C	D	E	F
29P	10.80	7.80	8.40	10.25	6.25	9.60
31P	11.40	8.40	9.00	10.85	6.85	10.20
35P	12.60	9.60	10.20	12.05	8.05	11.40
37P	13.20	10.20	10.80	12.65	4.65	12.00
39P	13.80	10.80	11.40	13.25	5.25	12.60
41P	14.40	11.40	12.00	13.85	5.85	13.20
45P	15.60	12.60	13.20	15.05	7.05	14.40
47P	16.20	13.20	13.80	15.65	7.65	15.00
51P	17.40	14.40	15.00	16.85	8.85	16.20
53P	18.00	15.00	15.60	17.45	9.45	16.80
57P	19.20	16.20	16.80	18.65	10.65	18.00
61P	20.40	17.40	18.00	19.85	11.85	19.20
63P	21.00	18.00	18.60	20.45	8.45	19.80
71P	23.40	20.40	21.00	22.85	10.85	22.20

NOTES:

Current Rating: 0.2A AC/DC
Voltage Rating: 50V AC/DC Max
Temperature Range: -30°C~+85°C
Contact Resistance: 80 mΩ Max
Insulation Resistance: 100 MΩ Min
Withstanding Voltage: 250V AC/minute

ODD NUMBER POS.

Gold plating: F:1u" min
PIN number: 1F03014 F ** C 0 3 -**
00:Rohs
HF:HALOGEN FREE
Reel packing
Natural color

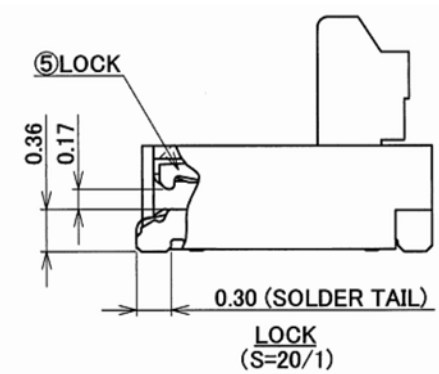
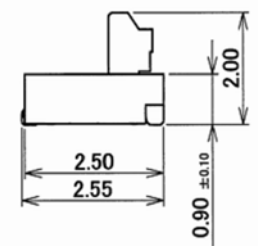
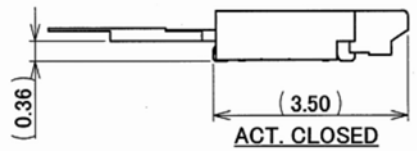
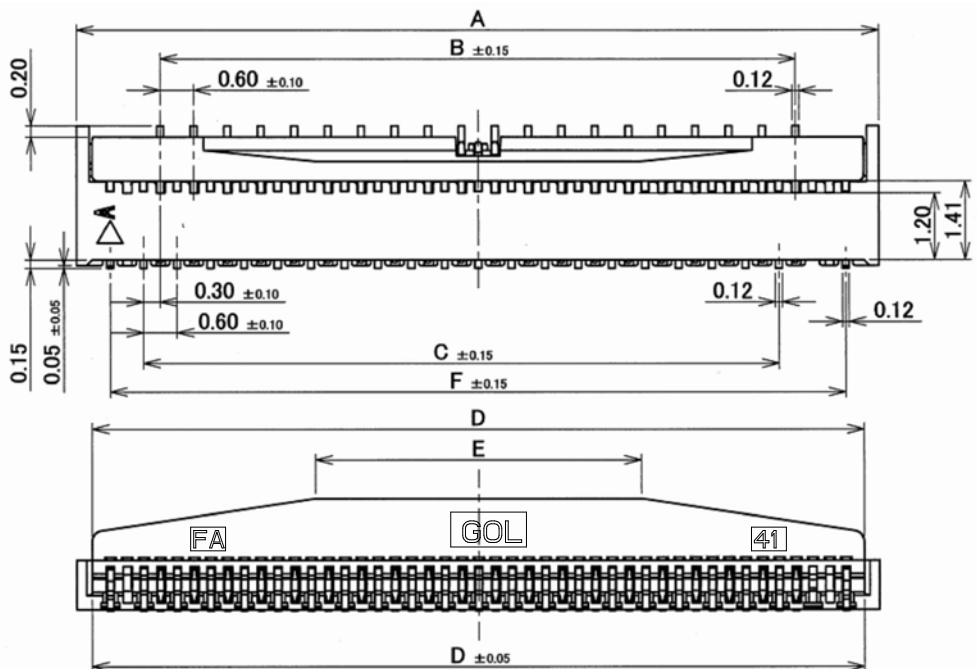


NO.	DISCRIPTION	MATERIAL	FINISH , REMARKS
5	LOCK	PHOSPHOR BRONZE	SOLDERING AREA : Au 0.03 μm MIN. OVER Ni 1.00 μm MIN.
4	CONTACT (B)	PHOSPHOR BRONZE	SEE TABLE 1, WITH Ni STRIPE
3	CONTACT (A)	PHOSPHOR BRONZE	SEE TABLE 1
2	ACTUATOR	LCP	UL94V-0, BEIGE
1	HOUSNIG	LCP	UL94V-0, BEIGE

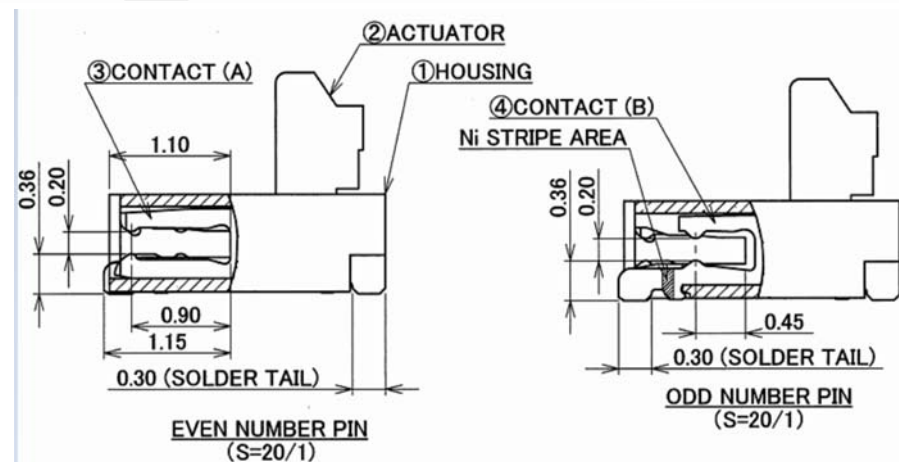
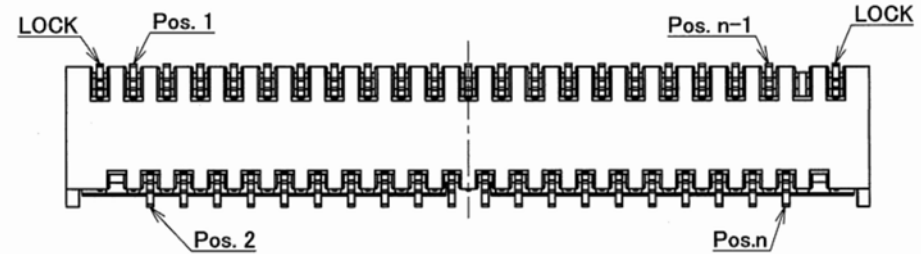
GENERAL TOLERANCE		DRAWN	SCALE	PART NO.	1F03014F**C03-**
X.±0.30	x.*±3.0°	CHECKED	8/1	TITLE	0.3PITCH 0.9H FPC
.X±0.25	.x*±2.0°	APPROVED	UNITS	mm	CUSTOMER DRAWING
.XX±0.20		File NO.	P0301401S		
.XXX±0.10		REV.			

此文件为双方检验的唯一标准
This document is the only standard for inspection by both parties.

REV.	ECN.NO.	MODIFY.CONTENT	DATE
A		FIRST VERSION	04/12' 19
B		Modify Housing	07/12' 19



EVEN NUMBER POS.



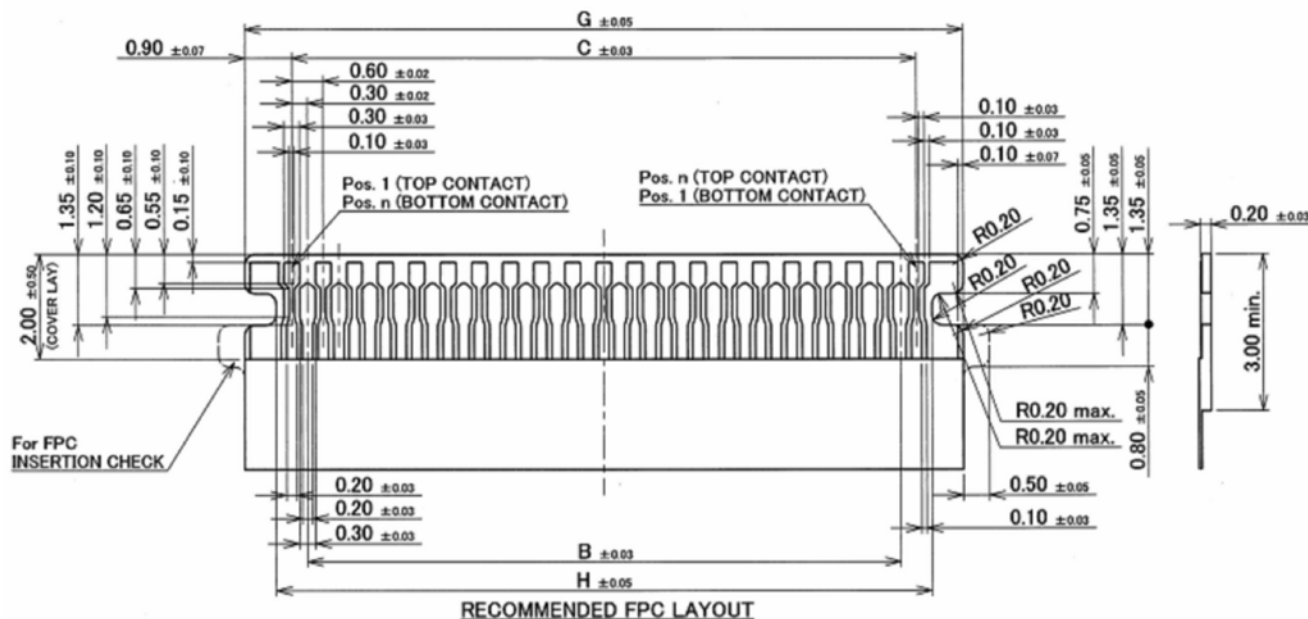
Pos.	A	B	C	D	E	F
30P	11.40	8.40	8.40	10.85	6.85	10.20
34P	12.60	9.60	9.60	12.05	8.05	11.40
38P	13.80	10.80	10.80	13.25	5.25	12.60
40P	14.40	11.40	11.40	13.85	5.85	13.20
50P	17.40	14.40	14.40	16.85	8.85	16.20
56P	19.20	16.20	16.20	18.65	10.65	18.00

GENERAL TOLERANCE	DRAWN	SCALE	PART NO.	1F03014F**C03-**	
X.±0.30	x.*±3.0°	CHECKED	8/1	TITLE	0.3PITCH 0.9H FPC
.XX±0.25	.x*±2.0°	APPROVED	UNITS	mm	CUSTOMER DRAWING
.XX±0.20		File NO.	P0301401S		
.XXX±0.10		REV.			
SHEET	2/5	Q'TY	1	B	蘇州祥龍嘉業電子科技股份有限公司 Goldenconn Electronics Technology Co.,LTD

此文件为双方检验的唯一标准
This document is the only standard for inspection by both parties.

REV.	ECN.NO.	MODIFY.CONTENT	DATE
A		FIRST VERSION	04/12' 19
B		Modify Housing	07/12' 19

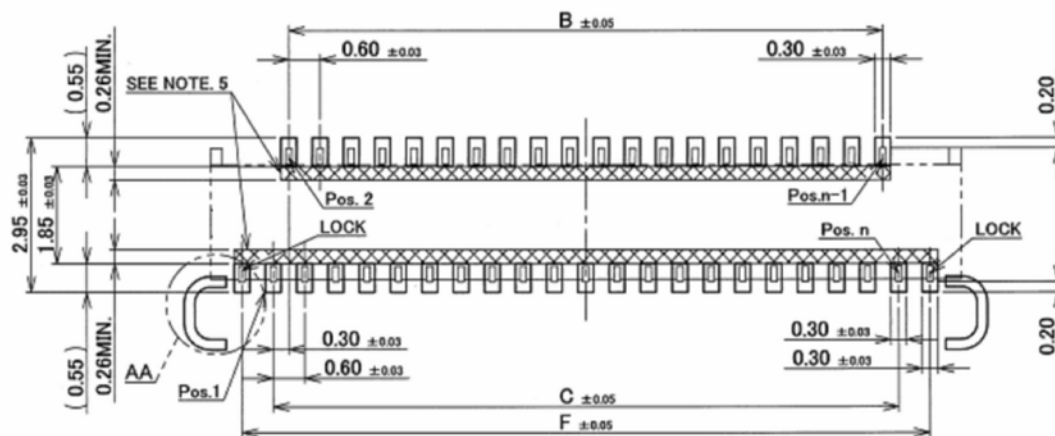
ODD NUMBER POS.



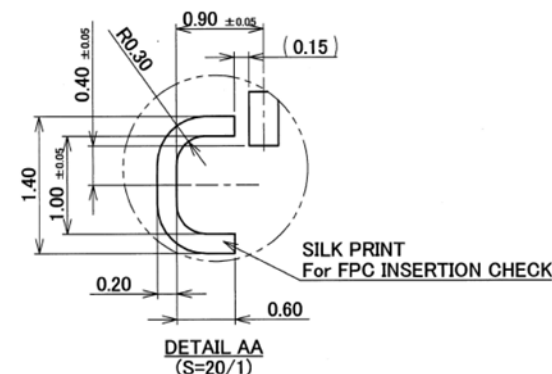
Pos.	B	C	F	G	H
29P	7.80	8.40	9.60	10.20	9.00
31P	8.40	9.00	10.20	10.80	9.60
35P	9.60	10.20	11.40	12.00	10.80
37P	10.20	10.80	12.00	12.60	11.40
39P	10.80	11.40	12.60	13.20	12.00
41P	11.40	12.00	13.20	13.80	12.60
45P	12.60	13.20	14.40	15.00	13.80
47P	13.20	13.80	15.00	15.60	14.40
51P	14.40	15.00	16.20	16.80	15.60
53P	15.00	15.60	16.80	17.40	16.20
57P	16.20	16.80	18.00	18.60	17.40
61P	17.40	18.00	19.20	19.80	18.60
63P	18.00	18.60	19.80	20.40	19.20
71P	20.40	21.00	22.20	22.80	21.60

NOTES

3. MATERIAL
COVER FILM : PI
CONDUCTOR : COPPER(RARE)
BASE FILM : PI
STIFFENER : PI
ADHESIVE : THERMOSETTING ADHESIVE
4. FINISH
Au OVER Ni UNDER PLATING.
5. SOLDER RESIST SHALL BE APPLIED TO PREVENT SHORT CIRCUITS WHEN PLACING SIGNAL LINES ON GROUND AREA.



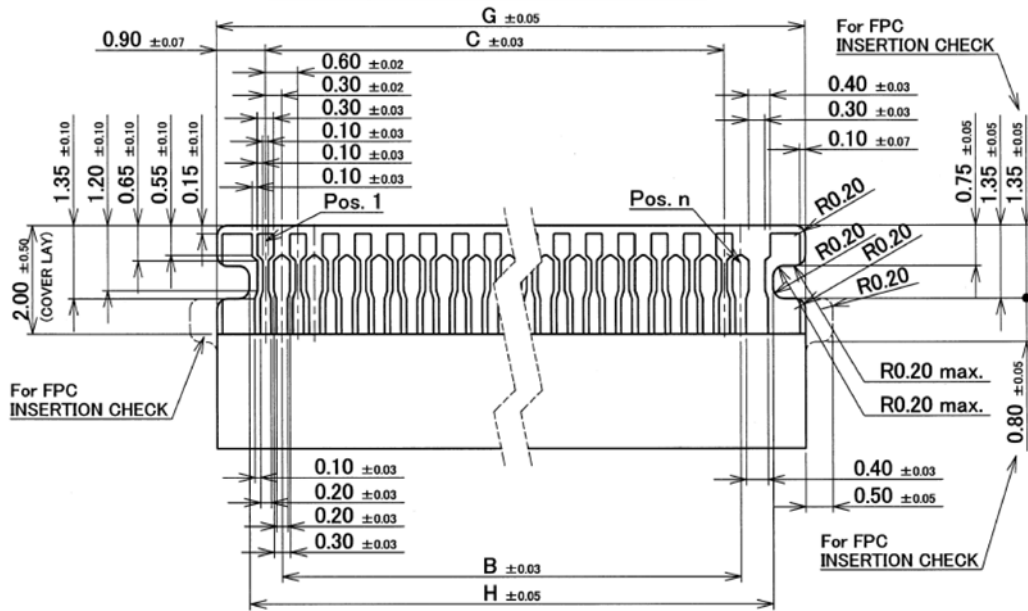
RECOMMENDED PCB LAYOUT & METAL MASK LAYOUT
METAL MASK THICKNESS : t=0.12mm



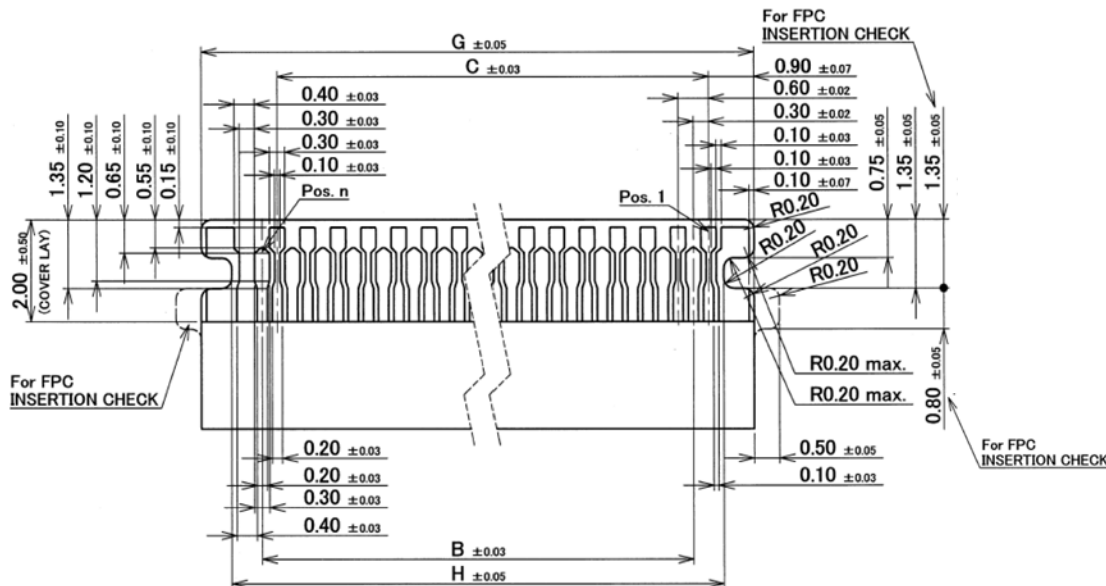
GENERAL TOLERANCE		DRAWN	SCALE	PART NO.	1F03014F**C03-**
X.±0.30	x.*±3.0°	CHECKED	8/1	TITLE	0.3PITCH 0.9H FPC
.X±0.25	.x.*±2.0°	APPROVED	UNITS	mm	CUSTOMER DRAWING
.XX±0.20		File NO.	P0301401S		
.XXX±0.10		REV.			
SHEET	3/5	Q'TY	1	B	蘇州祥龍嘉業電子科技股份有限公司 Goldenconn Electronics Technology Co.,LTD

REV.	ECN.NO.	MODIFY.CONTENT	DATE
A		FIRST VERSION	04/12' 19
B		Modify Housing	07/12' 19

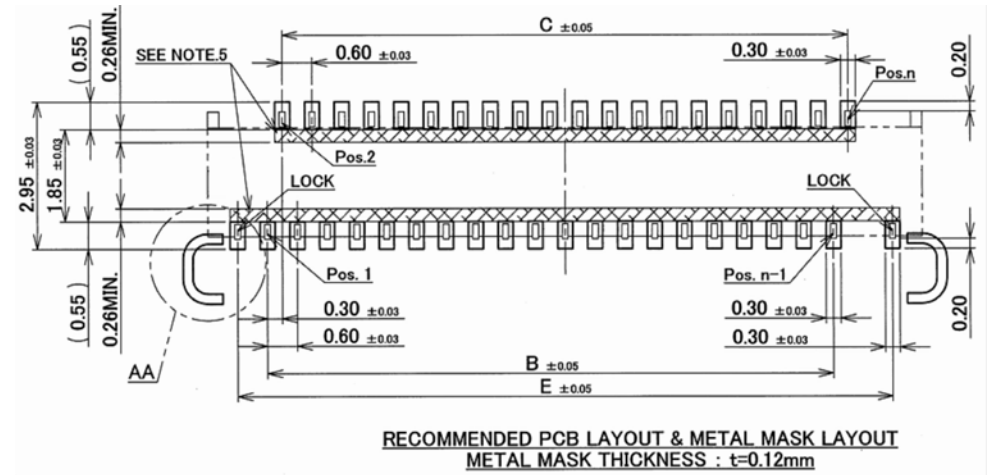
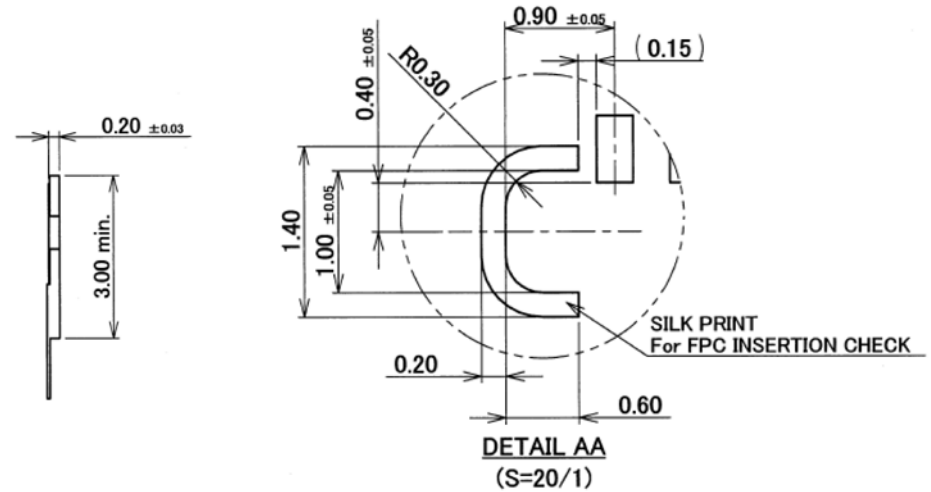
EVEN NUMBER POS.



RECOMMENDED FPC LAYOUT (FOR TOP CONTACT)



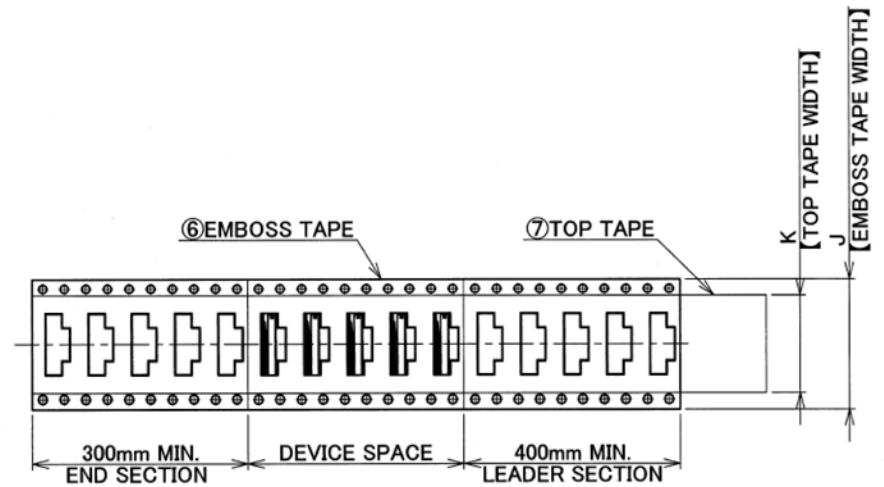
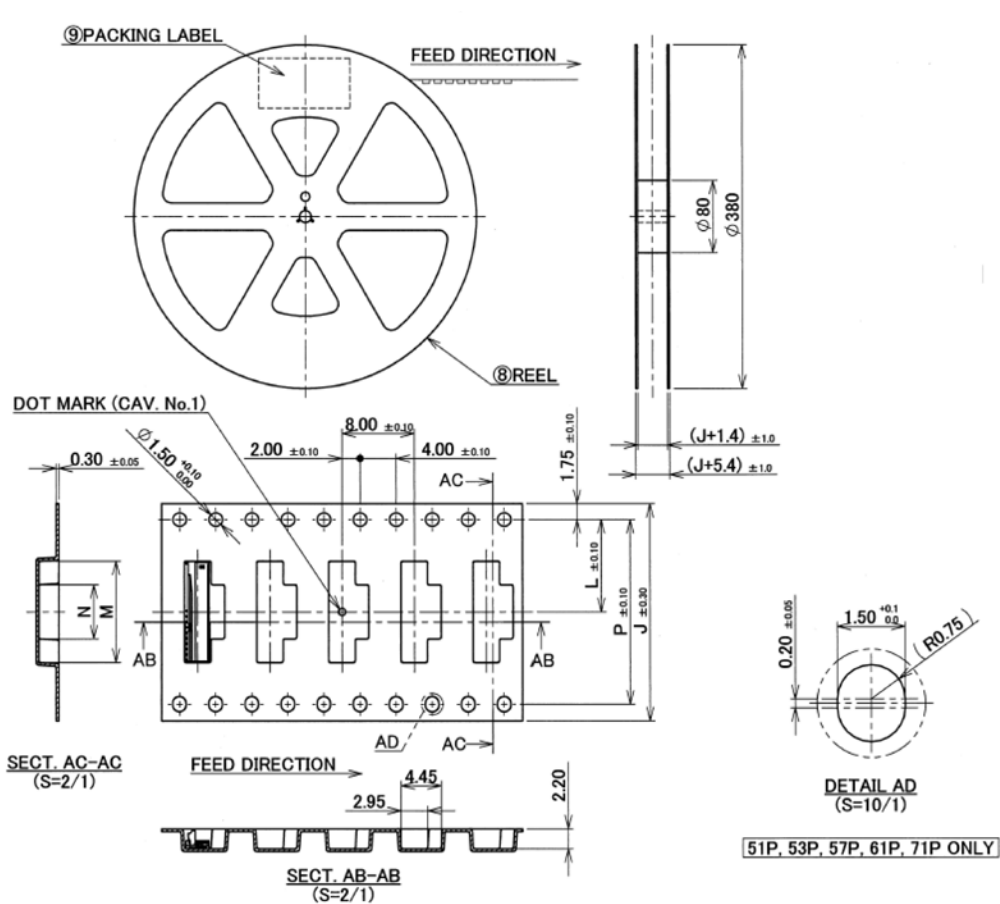
RECOMMENDED FPC LAYOUT (FOR BOTTOM CONTACT)



GENERAL TOLERANCE		DRAWN	SCALE	PART NO.	1F03014F**C03-**
X.±0.30	x.*±3.0°	CHECKED	8/1	TITLE	0.3PITCH 0.9H FPC
.X±0.25	.x*±2.0°	APPROVED	UNITS	mm	CUSTOMER DRAWING
.XX±0.20		File NO.	P0301401S		
.XXX±0.10		REV.			
SHEET	4/5	Q'TY	1	B	蘇州祥龍嘉業電子科技股份有限公司 Goldenconn Electronics Technology Co.,LTD

pin	J	K	L	M	N	P	QTY. PER EMOSS REEL (PIECES / REEL)	QTY. PER PACKING CARTON (REELS / CARTON)
29	24.0	21.5	11.50	11.20	6.00	-	4,000 / REEL	5 / CARTON = 20,000
31				11.80				
35				13.00				
37				13.60				
40				14.80				
41	15.40	8.00						
45	16.00							
47	16.60							
51	32.0	26.0	14.20	17.80	10.00	28.40		
53				18.40				
57				19.60				
61				20.80				
71	44.0	37.0	20.20	22.60		40.40	3 / CARTON = 12,000	

REV.	ECN.NO.	MODIFY.CONTENT	DATE
A		FIRST VERSION	04/12' 19
B		Modify Housing	07/12' 19



EMBOSS TAPE
(S=1/1)

NO.	DISCRPTION	MATERIAL	FINISH, REMARKS
9	PACKING LABEL	-	-
8	REEL	PS	ANTI-STATIC TYPE, BLACK
7	TOP TAPE	PET t=0.062 TRANSPARENCY	ANTI-STATIC TYPE HEAT WELDING TYPE
6	EMBOSS TAPE	PS t=0.3 TRANSPARENCY	ANTI-STATIC TYPE

GENERAL TOLERANCE		DRAWN	SCALE	PART NO.	1F03014F**C03-**
X.±0.30	x.*±3.0'	CHECKED	8/1	TITLE	0.3PITCH 0.9H FPC
.X±0.25	.x*±2.0'	APPROVED	UNITS	mm	CUSTOMER DRAWING
.XX±0.20		File NO.	P0301401S		
.XXX±0.10		REV.			
SHEET 5/5	Q'TY 1	B	蘇州祥龍嘉業電子科技股份有限公司 Goldenconn Electronics Technology Co.,LTD		